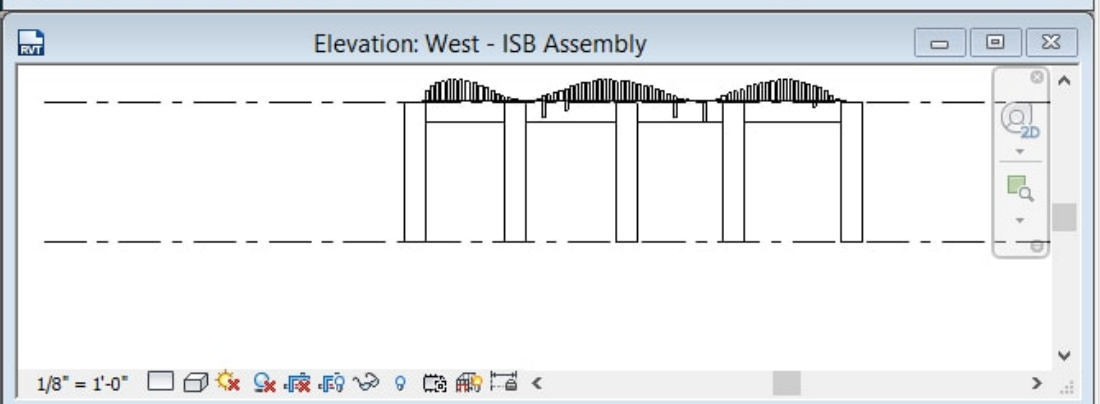
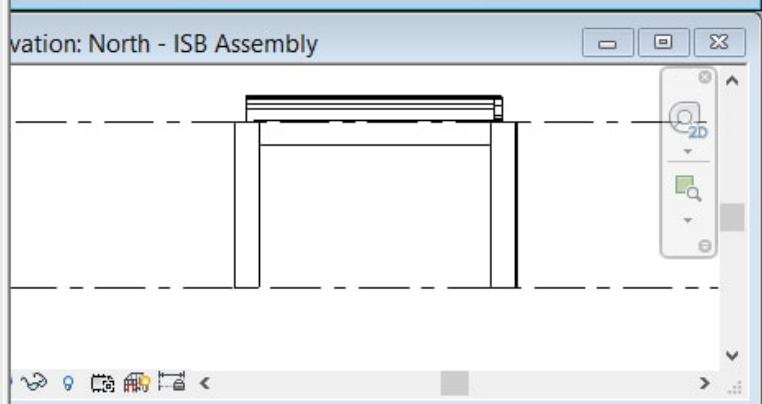
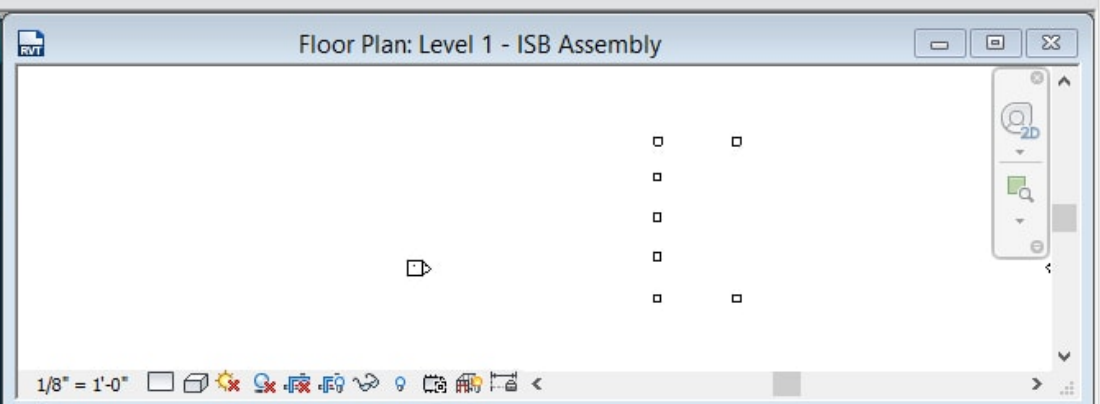
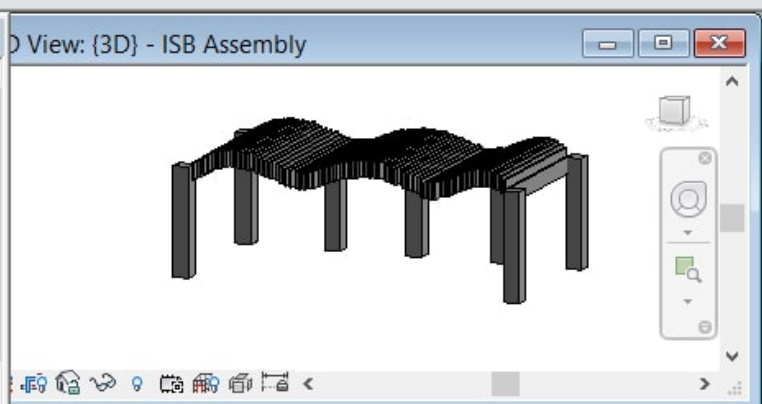


Architecture Structure Systems Insert Annotate Analyze Massing & Site Collaborate View Manage Add-Ins Modify

Modify Select View Templates Thin Lines Graphics Show Hidden Lines Remove Hidden Lines Cut Profile Render Render in Cloud Render Gallery 3D View Section Callout Plan Views Elevation Sheet Composition Windows Switch Windows Close Hidden User Interface

Project Browser - ISB Assembly

- Views (all)
 - Floor Plans
 - Level 1
 - Level 2
 - Site
 - Ceiling Plans
 - Level 1
 - Level 2
 - 3D Views
 - Elevations (Building Elevations)
 - East
 - North
 - South
 - West
 - Legends
 - Schedules/Quantities
 - Sheets (all)
 - Families
 - Annotation Symbols
 - Cable Trays
 - Ceilings
 - Columns
 - Conduits
 - Curtain Panels
 - Curtain Systems



Click to select, TAB for alternates, CTRL adds, SHIFT unselects.

Main Model